
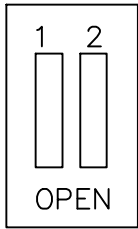


THIS DOCUMENT CONTAINS DATA PROPRIETARY TO PROJECTS UNLIMITED, INC. ANY USE OR REPRODUCTION, IN ANY FORM, WITHOUT PRIOR WRITTEN PERMISSION OF PROJECTS UNLIMITED, INC. IS PROHIBITED.
 ©2005, Projects Unlimited Inc.

SPECIFICATIONS

PARAMETERS	VALUES	UNITS
RATED VOLTAGE	24	Vdc
OPERATING VOLTAGE RANGE	9 ~ 28	Vdc
RATED CURRENT	6	mA
FASH RATE	30 & 60	PULSE PER MINUTE
INGRESS PROTECTION	IP54 	-
COLOR	RED	-
OPERATING TEMPERATURE	-10 ~ +55	°C
HOUSING MATERIAL	ABS	-
TERMINAL MATERIAL	SCREW	-
WEIGHT	100	grams

DETAIL "A"



CONNECTION DETAILS
SWITCH 1 (POWER)

OPEN-LOW (3mA nom)
 CLOSED-HIGH (5mA nom)

SWITCH 2 (RATE)

OPEN-SLOW (1/2Hz)
 CLOSED-FAST (1Hz)

OPTIONAL BASES

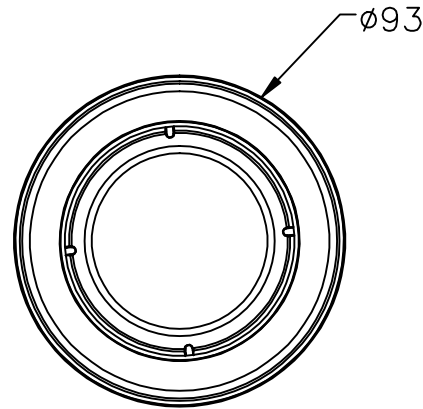
DEEP BASE: AWA-DBR

U BASE: AWA-UBR

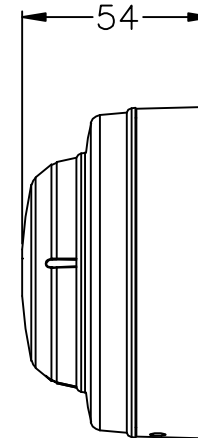
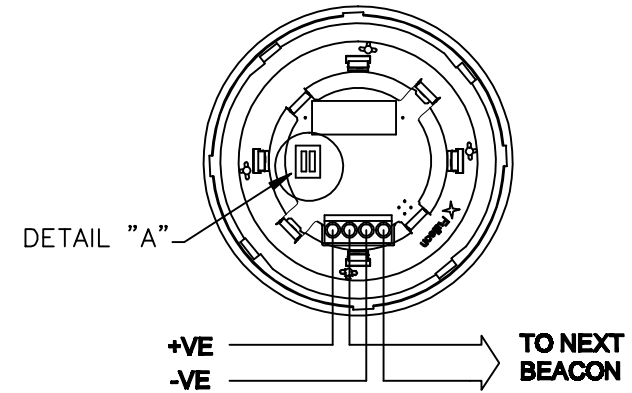
120Vac BASE: AWA-DBR-120

NOTES:


- ALL DIMENSIONS ARE IN MILLIMETERS.
- SPECIFICATION SUBJECT TO CHANGE OR WITHDRAWAL WITHOUT NOTICE.
- THIS PART IS RoHS 2002/95/EC COMPLIANT.
- IP65 WITH USE OF AWA-DBR, AWA-DBR-120, OR AWA-UBR BASE.



REVISIONS			
LTR	DESCRIPTION	DATE	APPROVED
-	RELEASED FROM ENGINEERING	12/6/05	
A	ADDED RoHS, BASE NOTES & CURRENT	5/21/07	R.W.



FILE NAME
 VW-35SBR-RL.DWG

UNLESS OTHERWISE SPECIFIED: DIMENSIONS ARE IN MILLIMETERS, TOLERANCES ARE ±0.5 AND ANGLES ARE ±3°.		 projects® unlimited Dayton, Ohio									
<table border="1"> <thead> <tr> <th>APPROVALS</th> <th>DATE</th> </tr> </thead> <tbody> <tr> <td>DRAWN <i>J.A.F.</i></td> <td>12/05</td> </tr> <tr> <td>CHECKED <i>E.P.</i></td> <td>12/05</td> </tr> <tr> <td>APPROVED <i>B.R.</i></td> <td>12/05</td> </tr> </tbody> </table>		APPROVALS	DATE	DRAWN <i>J.A.F.</i>	12/05	CHECKED <i>E.P.</i>	12/05	APPROVED <i>B.R.</i>	12/05	SIREN	
APPROVALS	DATE										
DRAWN <i>J.A.F.</i>	12/05										
CHECKED <i>E.P.</i>	12/05										
APPROVED <i>B.R.</i>	12/05										
SIZE A	DRAWING NO. VW-35SBR-RL										
DO NOT SCALE DRAWING	SCALE: N.T.S.	SHEET 1 OF 1									